

Plate Jointer (Biscuit Cutter)

I. Competencies

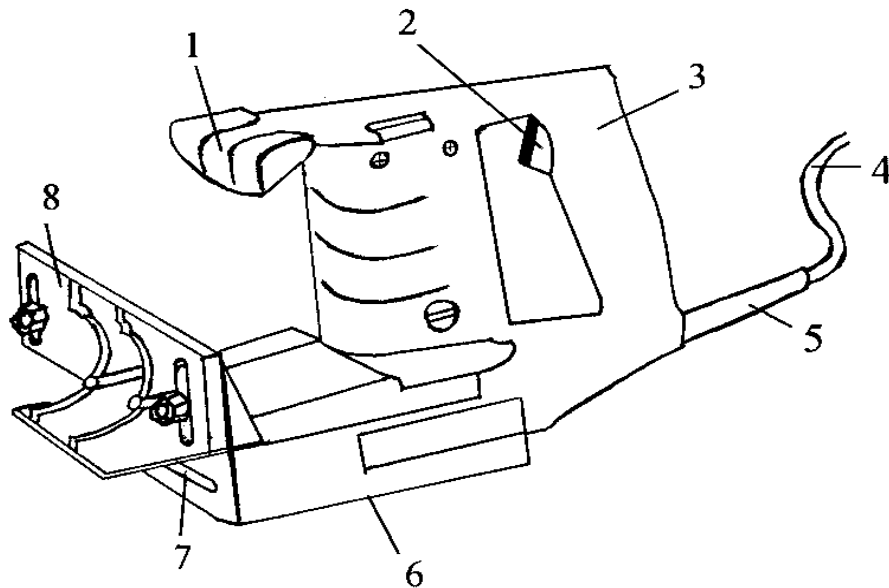
Given a properly adjusted plate jointer, accessories, instruction and demonstration of use, each student will be able to:

- A. Identify the major parts of the plate jointer.
- B. Pass a written test on safety and operating procedures of the plate jointer with 100 percent accuracy.
- C. Demonstrate ability to use the plate jointer, following suggested safety rules and correct operation procedures.

II. Instructional Materials and Procedures

A. Identification of Basic Plate Jointer Parts.

- | | |
|--------------------|-------------------------|
| 1. Hand Knob | 5. Cord Strain Reliever |
| 2. Off/On Switch | 6. Base |
| 3. Handle | 7. Blade |
| 4. Electrical Cord | 8. Centering Stop |



B. Plate Jointer Safety

1. Wear safety glasses at all times when using the plate jointer.
2. Make sure the switch is in the off position before the plate jointer is plugged in.
3. Keep the power cord positioned away from the work to be performed to avoid cutting the cord.
4. Make sure the plate jointer is unplugged while adjustments are being made.
5. Secure the material to be jointed before attempting to make a cut.
6. Have a firm grip on the plate jointer with both hands before turning the switch on.
7. Never operate the plate jointer in damp or wet locations.
8. When using the plate jointer outside always connect it to a ground fault circuit interrupter (GFCI).
9. Do not lay the plate jointer down until the blade has come to a complete stop.
10. Do not wear loose clothing, rings, or bracelets while operating the plate jointer.
11. Disconnect the electrical cord on the plate jointer before leaving the work area.

C. Operating Procedures

1. Adjust the centering stop so the jointer will cut the biscuit slot in the middle of the edge of the boards to be jointed.
2. Mark the center of all biscuit slot locations before any cuts are made.
3. Align the center notch on the plate jointer with the center mark on the boards to be jointed.
4. Allow the centering stop to rest flush on top of each board to be jointed.
5. Clamp or secure each board before making the cut(s) for biscuit(s).

6. Turn the plate jointer on and push the spring loaded base in (toward the board). This will expose the blade which will then cut the slot for the biscuit.
7. The plate jointer must be adjusted to cut the correct size slot. There are three different biscuit sizes used for joinery, the plate jointer will have a setting for each size biscuit, adjust accordingly.

III. Written Test

Plate Jointer Safety and Operation Test

Name _____ Date _____ Class _____

Multiple Choice - Place the letter of the most correct answer on the answer sheet.

1. Which of the following should be checked on the plate jointer before the power cord is plugged in?
 - a. Depth of cut
 - b. Position of the cut
 - c. Size of the cut
 - d. Position of the On/Off switch

2. When should the plate jointer be laid down after a cut has been completed?
 - a. When the blade stops turning
 - b. As soon as the cut is finished
 - c. Only after being unplugged
 - d. All of the above

3. Which personal protective equipment would be most appropriate for use when operating a plate jointer?
 - a. Gloves
 - b. Respirator
 - c. Safety glasses
 - d. Ear muffs

4. Which of the following should not be worn when operating the plate jointer?
 - a. Loose clothing
 - b. Long hair
 - c. Finger rings
 - d. a and c
 - e. a,b, and c

5. Before the switch on the plate jointer is turned on, how should it be held?
 - a. Firmly in one hand
 - b. With both hands
 - c. Let it rest on the table while it is being turned on
 - d. Hold firmly with both hands

6. The biscuit slot should be cut in the _____ of boards being joined.
 - a. end
 - b. edge
 - c. face
 - d. back

7. The center notch on the plate jointer should be aligned with the _____ on the board(s) to get a correctly positioned biscuit slot(s).
 - a. center mark(s)
 - b. edge mark(s)
 - c. end mark(s)
 - d. none of the these

8. How many different size biscuits are available for biscuit jointery?
 - a. 3
 - b. 4
 - c. 5
 - d. 6

9. How do you expose the blade on the plate jointer to cut the biscuit slot?
 - a. By turning the Off/On switch to On.
 - b. Push the button on the plate jointer that releases the blade.
 - c. Push the plate jointer in toward the material.
 - d. Pull the blade guard down before starting the cut.

10. The safest place for the electrical cord when the plate jointer is being used is to _____.
 - a. put the cord over the operator's shoulder.
 - b. put the cord around the operator's neck.
 - c. keep it in front of the plate jointer so you can see it at all times.
 - d. move it out of the line of the work being performed.

Plate Joiner (Biscuit Cutter) Part Identification Test

Name _____

Match the number of each plate joiner part with the correct name.

- ___ A. Base
- ___ B. Blade
- ___ C. Centering Stop
- ___ D. Cord Strain Reliever
- ___ E. Electrical Cord
- ___ F. Hand Knob
- ___ G. Handle
- ___ H. Off/On Switch

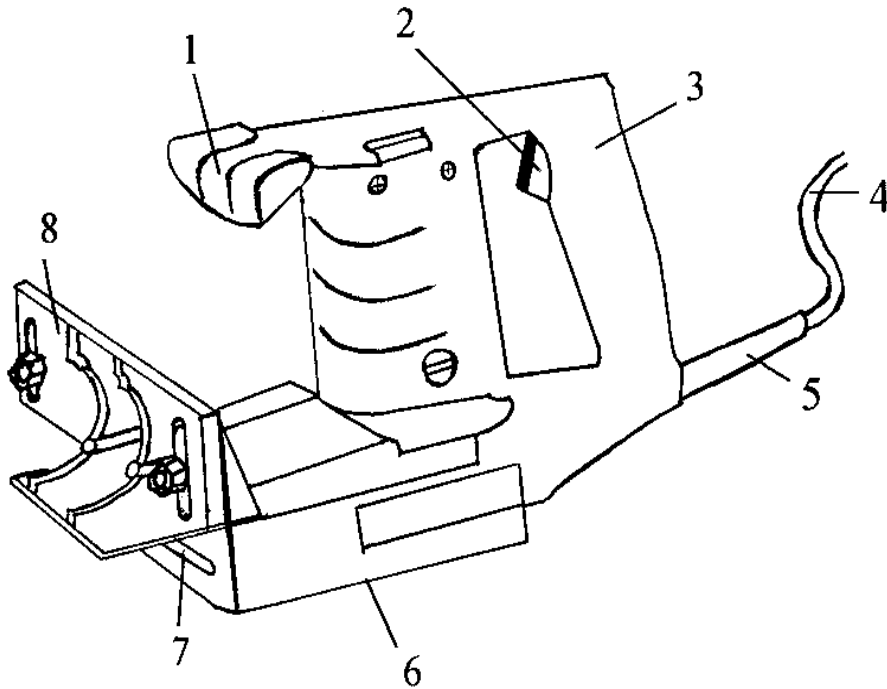


Plate Jointer (Biscuit Cutter)

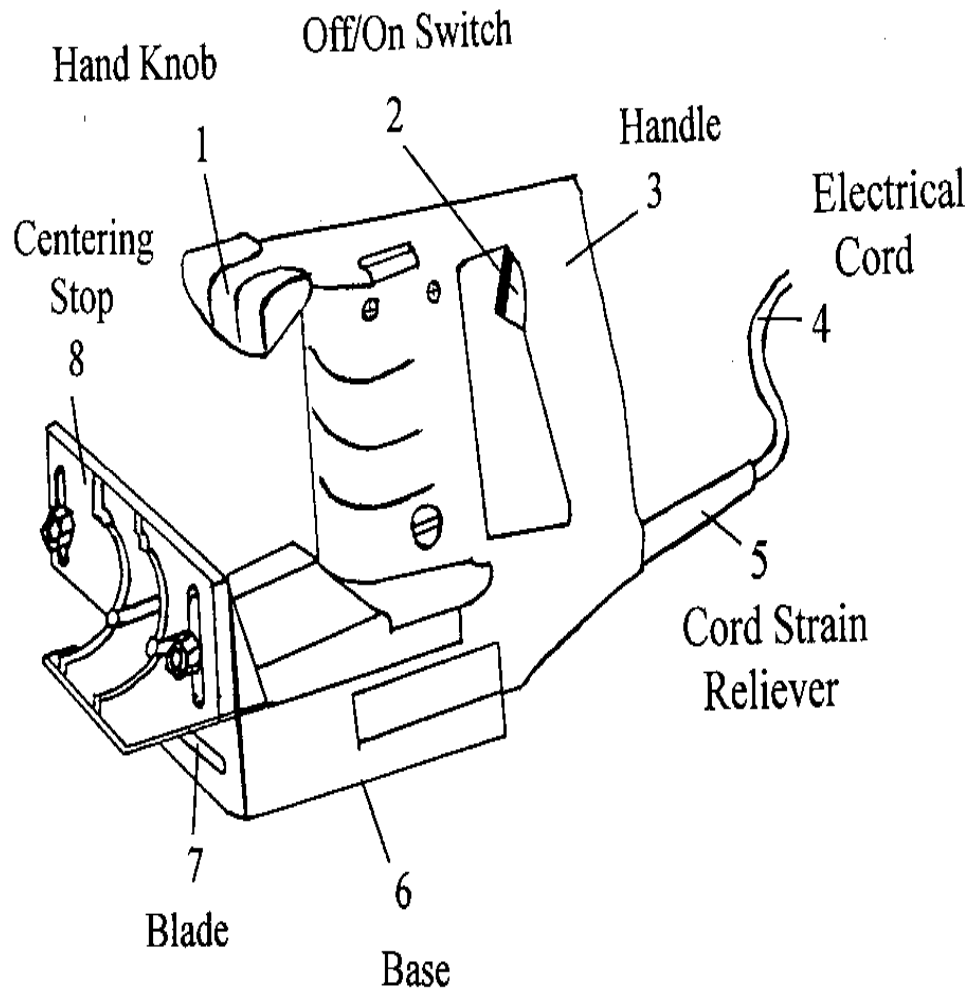


Plate Joiner (Biscuit Cutter)

